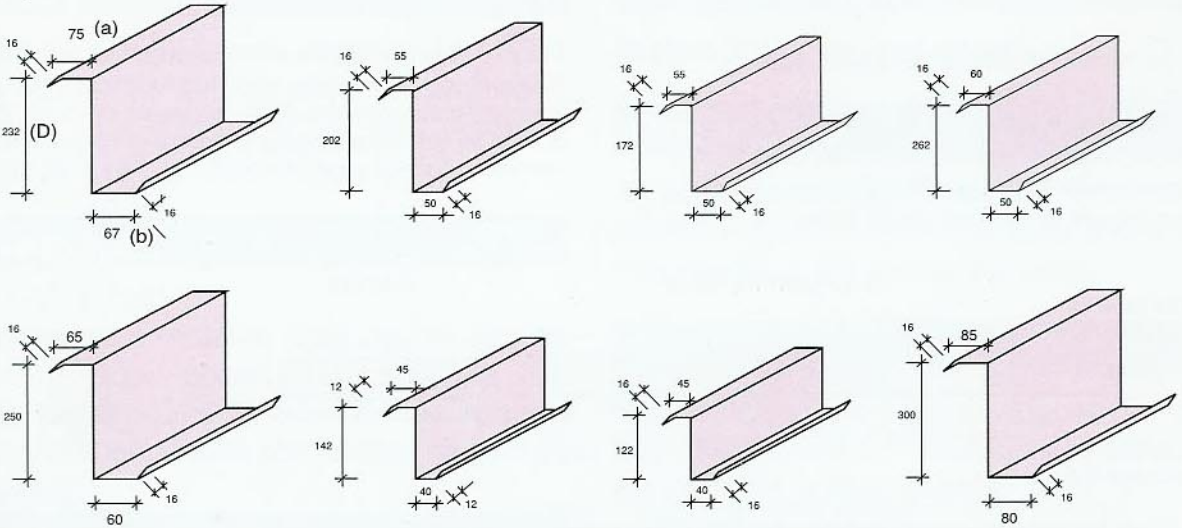




COLD FORMED Z PURLINS



SECTION		12220	14220	17220	20220	23220	25020	26220	30020
DEPTH	D mm	122	142	172	202	232	250	262	300
THICKNESS	t mm	2.0	2.0	2.0	2.0	2.0	2.0	2.0	2.0
TOP FLANGE	a mm	45	45	55	55	75	65	60	85
Btm. FLANGE	b mm	40	40	50	50	67	60	50	80
WEIGHT	Kg/M	3.75	3.93	4.85	5.24	6.37	6.37	6.37	7.85
AREA	mm ²	432	471	571	631	765	767	761	947
I _{xx}	cm ⁴	92	133	241	355	595	659	687	1206
Z _{xx} (Top)	cm ³	15.5	19.1	28.5	35.7	52.3	53.4	53.85	81.30
I _{yy} (Top)	cm ⁴	8.7	8.7	15.3	15.4	35.4	24.4	18.92	51.70
r _{yy}	mm	19.3	18.47	22.3	21.22	29.1	24.4	20.70	32.20

SECTION		12215	14215	17215	20215	23215	25015	26215	30015
DEPTH	D mm	122	142	172	202	232	250	262	300
THICKNESS	t mm	1.5	1.5	1.5	1.5	1.5	1.5	1.5	1.5
TOP FLANGE	a mm	45	45	55	55	75	65	60	85
Btm. FLANGE	b mm	40	40	50	50	67	60	50	80
WEIGHT	Kg/M	2.8	2.95	3.63	3.93	4.78	4.78	4.78	5.89
AREA	mm ²	327	357	432	477	578	579	574	714
I _{xx}	cm ⁴	71	102	184	271	452	501	523	914.3
Z _{xx} (Top)	cm ³	11.85	14.0	21.3	27.2	39.8	40.6	40.9	61.60
I _{yy} (Top)	cm ⁴	6.8	6.9	11.87	11.9	27.4	18.9	14.70	39.74
r _{yy}	mm	19.64	18.8	22.65	21.55	29.5	24.74	21.00	32.55