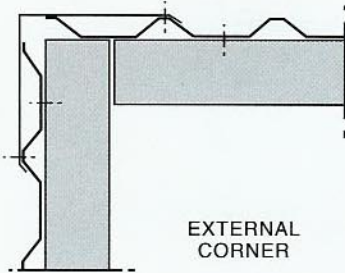
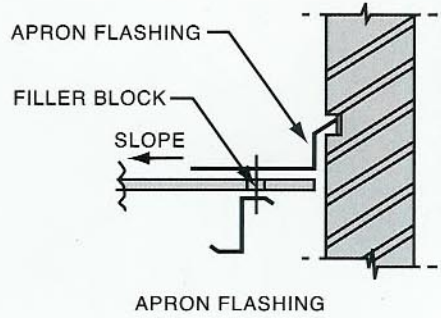


DATA SHEET

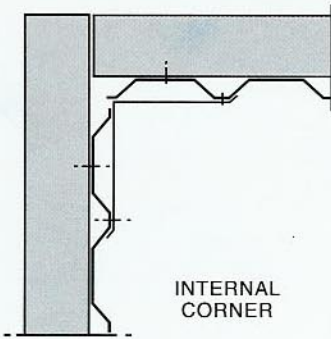
FLASHINGS



EXTERNAL CORNER

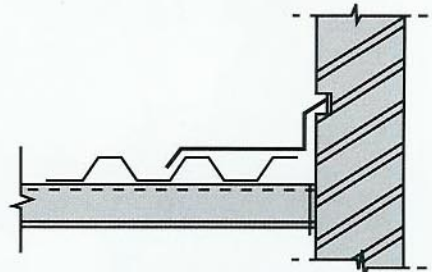


APRON FLASHING

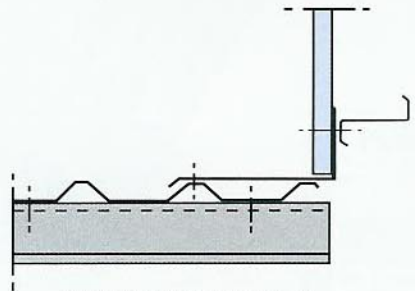


INTERNAL CORNER

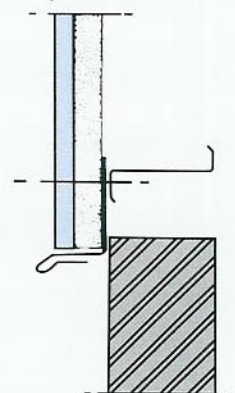
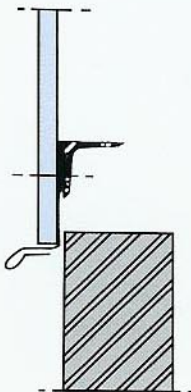
CORNER FLASHING



ENDWALL FLASHING - 1



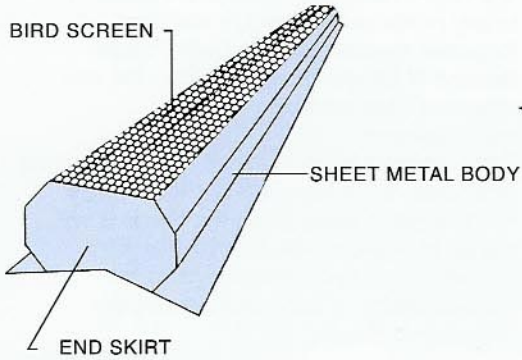
ENDWALL FLASHING - 2



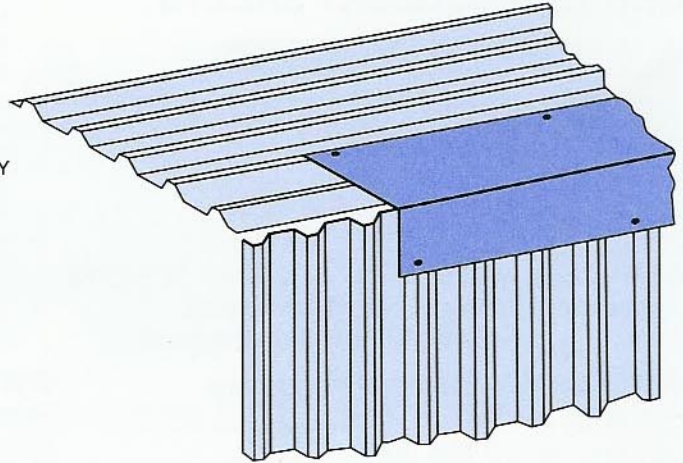
DRIP FLASHINGS

DATA SHEET

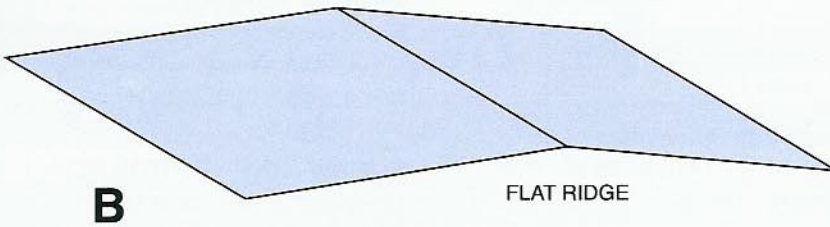
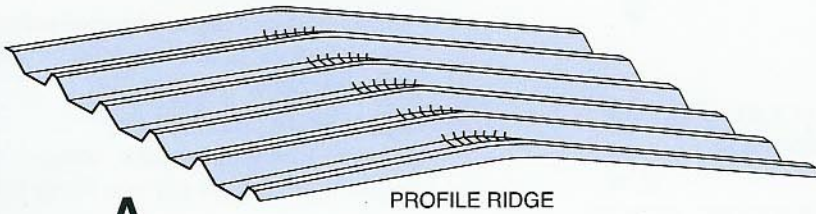
FLASHINGS



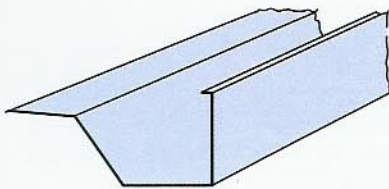
RIDGE VENTILATORS WITH BIRDSCREEN AND DAMPER



GABLE FLASHING

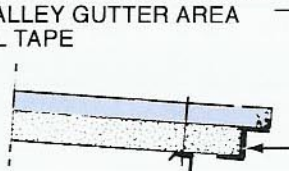


RIDGE FLASHING



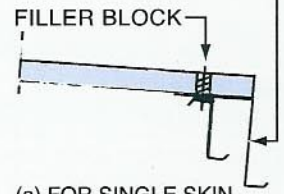
GUTTER

FOR EAVE GUTTER AREA
FOAM CLOSURE FLASHING
& VALLEY GUTTER AREA
FOIL TAPE



(a) FOR PANEL

EAVE FLASHING / GUTTER



(a) FOR SINGLE SKIN

DETAIL FOR ROOF SHEETING END. (EAVE SIDE)